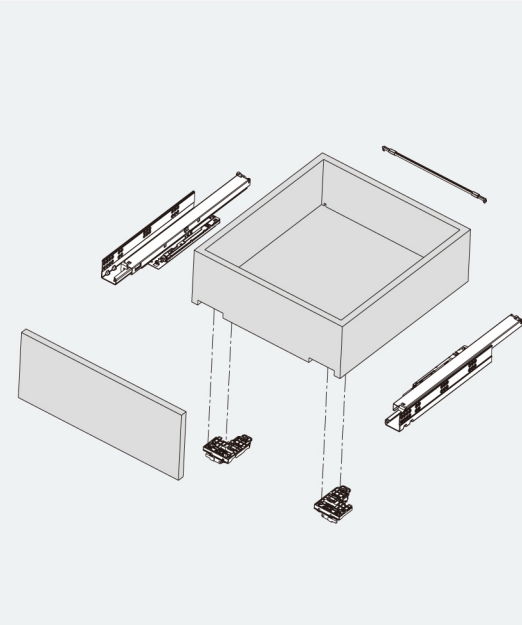
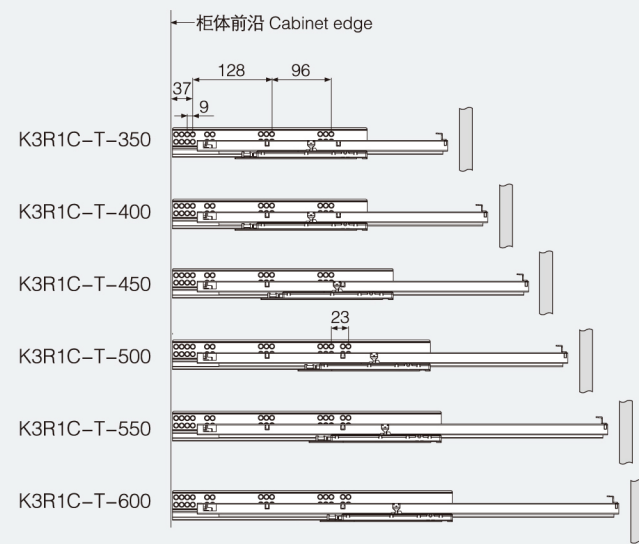


可选二方位调节分离器 2 directions locking device  
 六方位调节分离器 6 directions locking device

- 隐藏式、全拉出、同步反弹
- 载重: 35kg
- 材料: 镀锌板
- 材料厚度(上、中、下)轨: 1.0x1.5x1.8mm
- 无需工具, 抽屉可快速安装与拆卸
- 静音系统, 滑轨运动顺畅
- 三维调节, 高度调节0~3mm, 左右调节±2mm, 前后调节0~4mm
- Concealed, full extension, synchronous push-open
- Dynamic load capacity: 35kg
- Material: galvanized steel
- Material thickness: 1.0x1.5x1.8mm
- Tool-free quick installation
- Quiet system guarantees the slides run smoothly without noise
- 6-way adjustment, 0~3mm high, ±2mm left and right, 0~4mm before and after

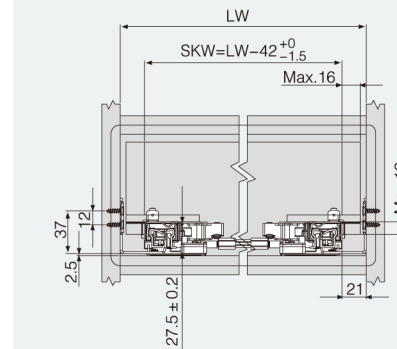
**柜体滑轨安装孔尺寸 Hole pattern**



产品型号 Item No.	标称长度NL (mm) Nominal length	拉出长度 (mm) Travel length	最小柜深LT (mm) (外抽 / 内抽) Min cabinet depth (Standard / Inner)	包装 (套/箱) Packing (Set/Box)
K3R1C-T-350	340	323 ± 3	350 / 350+X	5
K3R1C-T-400	390	373 ± 3	400 / 400+X	5
K3R1C-T-450	440	423 ± 3	450 / 450+X	5
K3R1C-T-500	490	473 ± 3	500 / 500+X	5
K3R1C-T-550	540	523 ± 3	550 / 550+X	5
K3R1C-T-600	590	573 ± 3	600 / 600+X	5

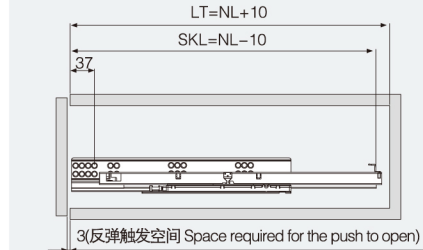
**柜体所需空间 Space required**

SKW: 抽屉净宽 Drawer width  
 LW: 柜体净宽 Inside net width  
 Max.: 最大尺寸



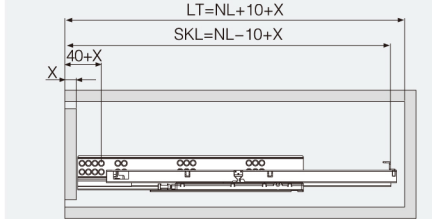
**外置抽屉 Standard drawer**

NL: 标称长度 Nominal length  
 SKL: 抽屉长度 Length of drawer  
 LT: 最小柜深 Min cabinet depth



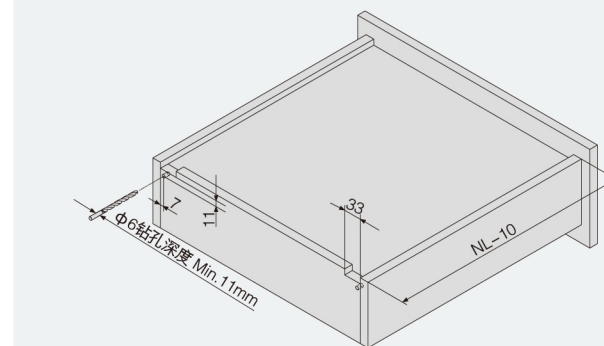
**内置抽屉 Inner drawer**

NL: 标称长度 Nominal length  
 SKL: 抽屉长度 Length of drawer  
 LT: 最小柜深 Min cabinet depth  
 X: 面板厚度 Thickness of the front panel

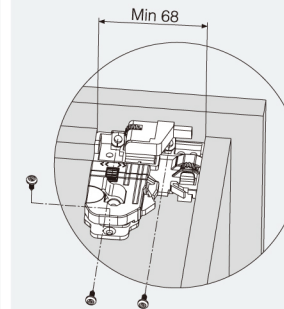


**抽屉后板开槽打孔尺寸 Hole size on rear panel of the drawer**

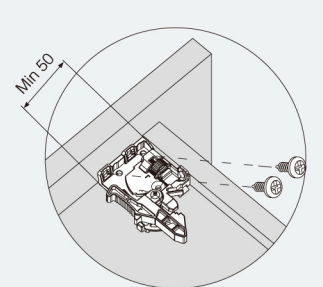
NL: 标称长度 Nominal length  
 Min.: 最小尺寸



**分离器安装 Installation of the locking device**



六方位调节分离器  
6 directions locking device

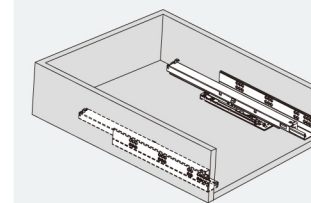


二方位调节分离器  
2 directions locking device

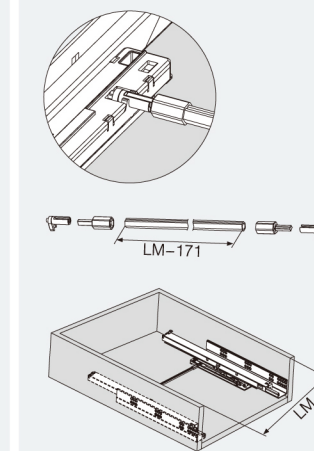
可选配六方位调节分离器或二方位调节分离器  
 6 directions locking device or 2 directions locking device

**装卸调试步骤说明 Installation instruction**

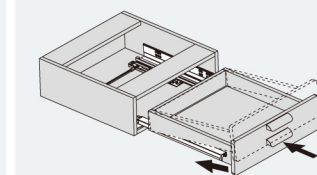
**滑轨安装 Installation of the slides**



**同步杆尺寸与安装 Installation of the synchronous tube**

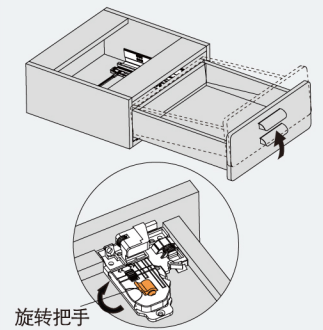


**抽屉安装与调节 Installation of the drawer and adjustment**



将滑轨全拉出, 把抽屉放置于滑轨上, 水平推入柜体, 抽屉即可安装完毕。 Fully open the slides and put the drawer on it, then push into cabinet horizontally, the drawer can be installed.

**抽屉拆卸 Removal of the drawer**



旋转把手  
 双手轻压旋转把手, 见箭头方向, 即可拆卸。 Press the locking device with your hands softly in the direction of the arrow, then remove the drawer.